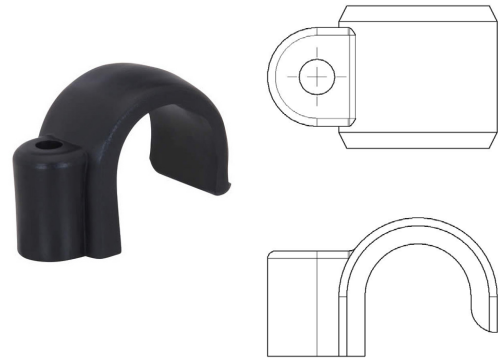


1, 2 AND 3 WAY FIXING CLEATS

SINGLE WAY FIXING CABLE CLEAT

Manufactured as standard in Black Acetal (A), Black Polypropylene (B) & Grey Flame Retardant Polypropylene (FR). A robust cleat used for securing armoured power cables. Detailed drawings can be provided on request.

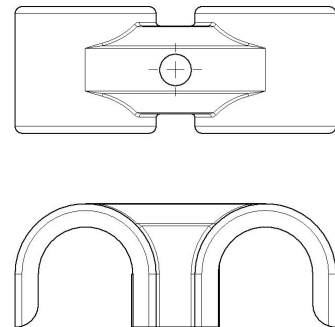
PART NO.	MATERIAL SUFFIX	CABLE Ø (mm)	FIXING HOLES (mm)	PACK QTY.	WEIGHT (g)
10-034	B or FR	9.0	3	200	0.8
10-042	B or FR	10.6	4	200	1.9
10-046	B or FR	11.7	4	200	2.8
10-053	B or FR	13.5	4	200	2.8
10-056	B or FR	14.2	4	200	3.1
10-061	B or FR	15.5	4	200	3.1
10-065	B or FR	16.5	4	200	4.8
10-072	B or FR	18.2	4	200	4.2
10-083	B or FR	21.1	6	100	7.7
10-098	B or FR	24.8	6	100	6.4
10-106	B or FR	27.0	6	100	7.5
10-120	A	31.0	6	50	15.8
10-138	A	35.0	6	50	23.0



TWO WAY SINGLE FIXING CABLE CLEAT

Manufactured as standard in Black Polypropylene (B) & Grey Flame Retardant Polypropylene (FR). A robust cleat used for securing two armoured power cables on flat surfaces. Detailed drawings can be provided on request.

PART NO.	MATERIAL SUFFIX	CABLE Ø (mm)	FIXING HOLES (mm)	PACK QTY.	WEIGHT (g)
2W37	B	9.4	4	100	2.2
2W42	B or FR	10.6	4	100	3.3
2W46	B or FR	11.7	4	100	3.6
2W53	B or FR	13.5	4	100	4.0
2W56	B or FR	14.2	4	100	5.0



THREE & FOUR WAY DOUBLE FIXING CABLE CLEAT

Manufactured as standard in Black Polypropylene (B) & Grey Flame Retardant Polypropylene (FR). A robust cleat used for securing three or four armoured power cables on flat surfaces. Detailed drawings can be provided on request.

PART NO.	MATERIAL SUFFIX	CABLE Ø (mm)	FIXING HOLES (mm)	PACK QTY.	WEIGHT (g)
3W46	B or FR	11.7	4	200	8.7
3W56	B or FR	14.2	4	200	9.3
4W10	B	4 x 15	4	100	9.5

