

Accessories

SYSTEMAL® Presto cable ladders

Fixing rail profile

Type	E number	Package size	B	H	L	Weight
Fixing rail profile		m	mm	mm	mm	kg/m
SYS-NHP15	14 407 30	20	25	15	2000	0,18
SYS-NHP20	14 401 50	36	27	20	6000	0,47

Partition

Type	E number	Package size	B	H	L	Weight
Partition		m	mm	mm	mm	kg/m
SYS-NDI60	14 415 95	30	60	20	3000	0,11

Support beam

Type	E number	Package size	B	H	L	Weight
Support beam		m	mm	mm	mm	kg/m
SYS-NLP17	14 401 23	36	35	20	6000	0,56

Installation plate

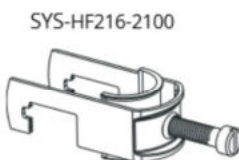
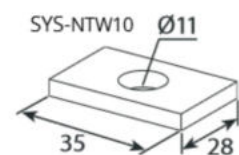
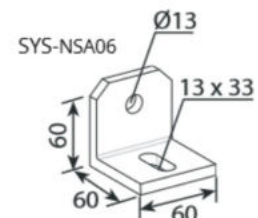
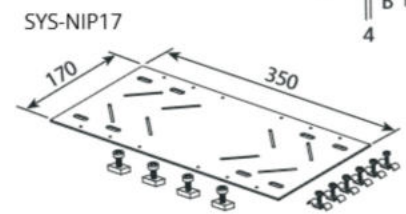
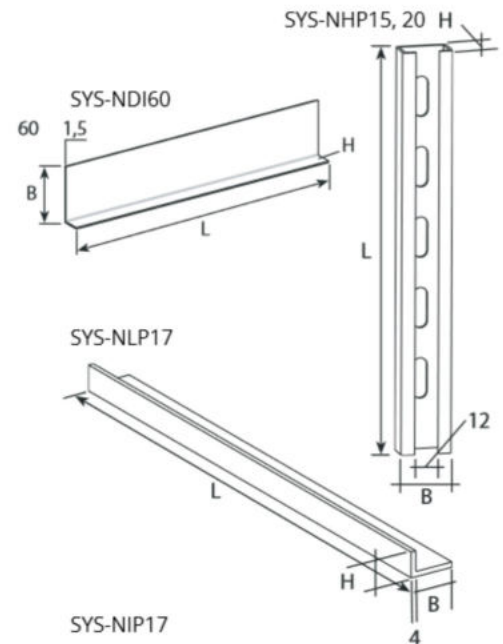
Type	E number	Package size	Weight
Installation plate		pcs	kg/pc
SYS-NIP17	14 401 52	1/10	0,410

Angle support and Flat washer

Type	E number	Package size	Weight
Angle support		pcs	kg/pc
SYS-NSA06	14 401 32	10/100	0,150
Flat washer			
SYS-NTW10	14 407 40	50/500	0,007

Cable clamps

Type	E number	Package size	Range	Weight
Cable clamps		pcs	Ø mm	kg/pc
SYS-HF216	14 404 32	50	12-16	0,016
SYS-HF222	14 404 33	50	17-22	0,019
SYS-HF226	14 404 34	50	23-26	0,023
SYS-HF230	14 404 35	50	27-30	0,025
SYS-HF234	14 404 36	50	31-34	0,028
SYS-HF242	14 404 37	50	35-42	0,033
SYS-HF250	14 404 38	50	43-50	0,038
SYS-HF264	14 404 39	50	51-64	0,044
SYS-HF282	14 404 40	50	65-82	0,070
SYS-HF2100	14 404 41	50	83-100	0,080
SYS-HF416	14 404 43	50	12-16	0,009
SYS-HF422	14 404 44	50	17-22	0,010
SYS-HF426	14 404 45	50	23-26	0,012
SYS-HF430	14 404 46	50	27-30	0,015
SYS-HF434	14 404 47	50	31-34	0,022
SYS-HF442	14 404 48	50	35-42	0,027



Accessories

SYSTEMAL® Presto cable ladders

Nuts and bolts

Type	E number	Package size	Weight
Nut and bolt		pcs	kg/pc
SYS-NHB10	14 415 56	50/500	0,050
Hold down clamp			
SYS-NCH06	14 401 70	50/500	0,014
SYS-NCH30	14 415 50	10/200	0,020
Clamp for crossing ladders			
SYS-NCI06	14 407 42	20/200	0,030
Sliding bracket			
SYS-NCT01	14 407 88	10/100	0,070

Insert nuts and bolts

Type	E number	Package size	Weight
Insert nuts and bolts		pcs	kg/pc
SYS-NPB06	14 408 23	50/500	0,008
SYS-NPB08	14 406 93	20/500	0,030
SYS-NPB10	14 407 69	10/200	0,070
SYS-NPB12	14 401 76	10/200	0,100

Use of insert nuts

Type	E number	Package size	Insert nut				
Cantilever brackets		pcs	SYS-NPB06	SYS-NPB08	SYS-NPB10	SYS-NPB12	
SYS-NSF22	14 405 66	10			X		
SYS-NSF23	14 405 67	10			X		
SYS-NSF24	14 405 68	10			X		
SYS-NSF25	14 405 69	10			X		
SYS-NSF26	14 405 70	10			X		
SYS-NSF42	14 405 76	10			X		
SYS-NSF43	14 405 77	10			X		
SYS-NSF44	14 405 78	10				X	
SYS-NSF45	14 405 79	10				X	
SYS-NSF46	14 405 80	10				X	
SYS-NSP08	14 401 22	10				X	
Wall rails		m	SYS-NPB06	SYS-NPB08	SYS-NPB10	SYS-NPB12	
SYS-NSR15	14 401 33	36			X		
SYS-NSR25	14 401 31	36			X	X	
Suspension rail		m	SYS-NPB06	SYS-NPB08	SYS-NPB10	SYS-NPB12	
SYS-NSB14	14 401 20	36			X		
Pendant rails		m	SYS-NPB06	SYS-NPB08	SYS-NPB10	SYS-NPB12	Nut and bolt
SYS-NSR05	14 407 89	36		X			
SYS-NSR12	14 415 04	36					X
Fixing rail profiles		m	SYS-NPB06	SYS-NPB08	SYS-NPB10	SYS-NPB12	
SYS-NHP15	14 407 30	20	X	X			
SYS-NHP20	14 401 50	36	X	X			

SYS-NHB10
(M10x40)



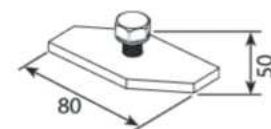
SYS-NCH06



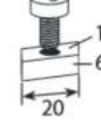
SYS-NCI06



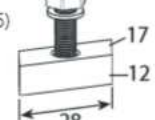
SYS-NCT01



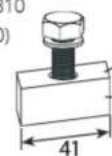
SYS-NPB06
(M6x12)



SYS-NPB08
(M8x25)



SYS-NPB10
(M10x30)



SYS-NPB12
(M12x30)



Covers and base plates

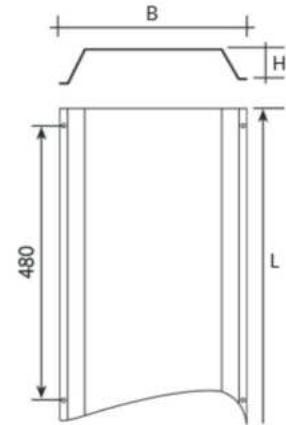
SYSTEMAL® Presto cable ladders

Cable cover

Thickness 1.5 mm.

Cable cover includes fastening screws.

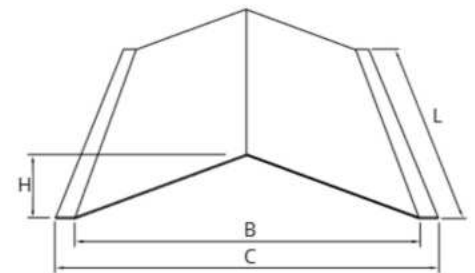
Type	E number	Package size	B	H	L	Weight
Cable cover		pcs	mm	mm	mm	kg/pc
SYS-NCP12	14 401 54	1/10	148	50	1500	0,85
SYS-NCP20	14 401 57	1/10	228	50	1500	1,15
SYS-NCP30	14 401 58	1/10	328	50	1500	2,30
SYS-NCP40	14 401 56	1/10	428	50	1500	2,90
SYS-NCP50	14 401 59	1/10	528	50	1500	3,50
SYS-NCP60	14 401 60	1/10	628	50	1500	4,20



Dust cover

Thickness 1.5 mm.

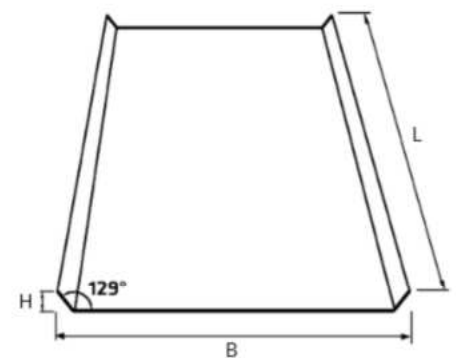
Type	E number	Package size	B	H	C	L	Weight
Dust cover		m	mm	mm	mm	mm	kg/m
SYS-DCP12	14 404 53	3/30	120	50	148	3000	0,75
SYS-DCP20	14 404 54	3/30	200	50	228	3000	1,03
SYS-DCP30	14 404 55	3/30	300	80	328	3000	1,50
SYS-DCP40	14 404 56	3/30	400	80	428	3000	1,87
SYS-DCP50	14 404 57	3/30	500	80	528	3000	2,25
SYS-DCP60	14 404 58	3/30	600	80	628	3000	2,65



Base plate

Thickness 1.0 mm.

Type	E number	Package size	B	H	L	Weight
Base plate		m	mm	mm	mm	kg/m
SYS-BOP12	14 404 69	3/30	115	10	3000	0,33
SYS-BOP20	14 404 70	3/30	195	10	3000	0,55
SYS-BOP30	14 404 71	3/30	295	10	3000	0,82
SYS-BOP40	14 404 72	3/30	395	10	3000	1,09
SYS-BOP50	14 404 73	3/30	495	10	3000	1,37
SYS-BOP60	14 404 74	3/30	595	10	3000	1,64



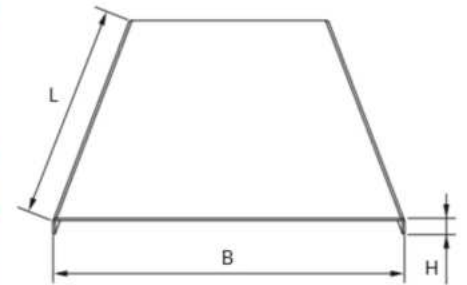
Covers and base plates

SYSTEMAL® Presto cable ladders

Covers

Thickness 1.5 mm.

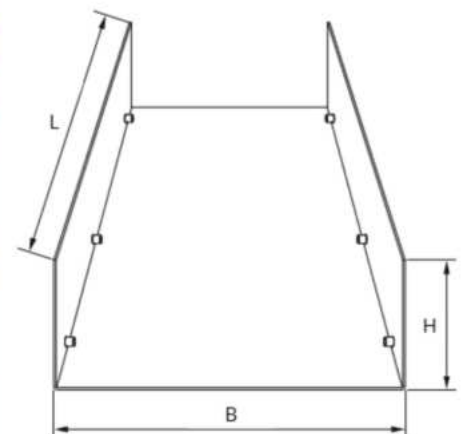
Type	E number	Package size	B	H	L	Weight
Covers for SYS-LH0 and SYS-NH1 series			m	mm	mm	kg/m
SYS-NCPS0112	14 404 01	2/20	143	10	2000	0,68
SYS-NCPS0120	14 404 02	2/20	223	10	2000	1,00
SYS-NCPS0130	14 404 03	2/20	323	10	2000	1,41
SYS-NCPS0140	14 404 04	2/20	425	10	2000	1,83
SYS-NCPS0150	14 404 05	2/20	525	10	2000	2,23
SYS-NCPS0160	14 404 07	2/20	625	10	2000	2,64
Covers for SYS-NH4 and SYS-NH5 series						
SYS-NCPS4520	14 404 08	2/20	233	10	2000	1,04
SYS-NCPS4530	14 404 09	2/20	333	10	2000	1,45
SYS-NCPS4540	14 404 11	2/20	433	10	2000	1,86
SYS-NCPS4550	14 404 12	2/20	533	10	2000	2,27
SYS-NCPS4560	14 404 13	2/20	633	10	2000	2,72



External bottom plates

Thickness 1.5 mm.

Type	E number	Package size	B	H	L	Weight
External bottom plates for SYS-LH0 series			mm	mm	mm	kg/m
SYS-CPB012	14 404 14	2/20	149	60	2000	1,10
SYS-CPB020	14 404 15	2/20	229	60	2000	1,42
SYS-CPB030	14 404 16	2/20	329	60	2000	1,83
SYS-CPB040	14 404 18	2/20	429	60	2000	2,24
SYS-CPB050	14 404 19	2/20	529	60	2000	2,65
SYS-CPB060	14 404 20	2/20	629	60	2000	3,05
External bottom plates for SYS-NH1 series						
SYS-CPB120	14 404 21	2/20	231	90	2000	1,68
SYS-CPB130	14 404 22	2/20	331	90	2000	2,08
SYS-CPB140	14 404 23	2/20	433	90	2000	2,50
SYS-CPB150	14 404 24	2/20	533	90	2000	2,91
SYS-CPB160	14 404 25	2/20	633	90	2000	3,31
External bottom plates for SYS-NH4 series						
SYS-CPB420	14 404 26	2/20	239	110	2000	1,87
SYS-CPB430	14 404 27	2/20	339	110	2000	2,28
SYS-CPB440	14 404 28	2/20	439	110	2000	2,69
SYS-CPB450	14 404 29	2/20	539	110	2000	3,10
SYS-CPB460	14 404 30	2/20	639	110	2000	3,50
External bottom plates for SYS-NH5 series						
SYS-CPB520	14 404 31	2/20	241	155	2000	2,25
SYS-CPB530	14 404 42	2/20	341	155	2000	2,65
SYS-CPB540	14 404 50	2/20	441	155	2000	3,06
SYS-CPB550	14 404 51	2/20	541	155	2000	3,47
SYS-CPB560	14 404 52	2/20	641	155	2000	3,88



Center support systems

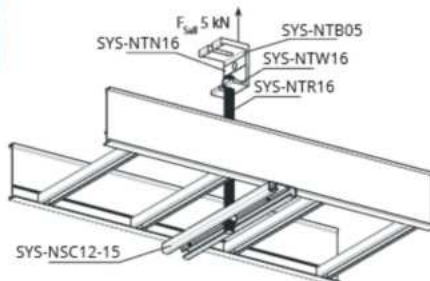
SYSTEMAL® Presto cable ladders

Center support systems

Loading capacity 5 kN (support beam 2 kN)

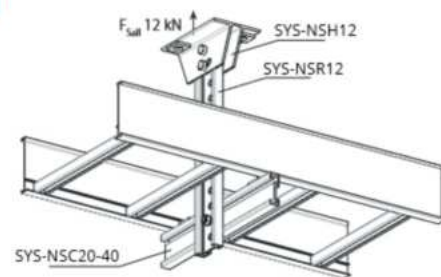
SYS-LH0

SYS-NH1



Loading capacity 12 kN

SYS-NH1



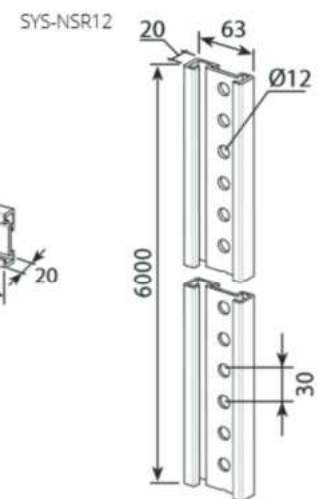
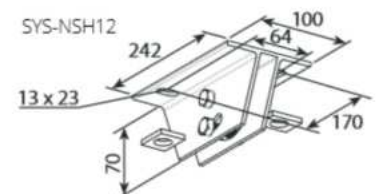
Recommended for ladder series SYS-LH0 and SYS-NH1

Type	E number	Package size	Weight
Ceiling bracket		pcs/m	kg/pc
SYS-NTB05	14 407 43	10/100 pcs	0,22
Threaded rod (M16)			
SYS-NTR16	14 407 90	30 m	0,46
Support			
SYS-NSC12	14 407 45	10 pcs	0,24
SYS-NSC13	14 407 46	10 pcs	0,33
SYS-NSC14	14 407 47	10 pcs	0,49
SYS-NSC15	14 407 48	10 pcs	0,60
Nut (M16)			
SYS-NTN16	14 407 91	100/500 pcs	0,01
Rod coupling nut (M16)			
SYS-NTC16	14 407 92	10/100 pcs	0,04
Flat washer			
SYS-NTW16	14 407 41	50/500 pcs	0,01

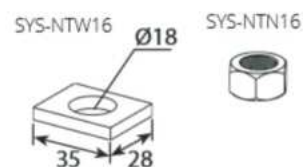
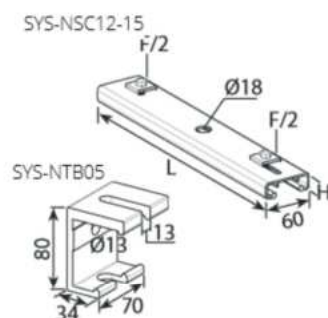
Recommended for ladder series SYS-NH1

Type	E number	Package size	Weight
Ceiling bracket		pcs/m	kg/pc
SYS-NSH12	14 415 10	2/20 pcs	0,63
Pendant rail			
SYS-NSR12	14 415 04	36 m	1,24
Support			
SYS-NSC20	14 415 40	10 pcs	0,41
SYS-NSC30	14 415 41	10 pcs	0,54
SYS-NSC40	14 415 42	10 pcs	0,67
Nut and bolt			
SYS-NHB10	14 415 56	50/500 pcs	0,05

Type	L mm
SYS-NSC20	250
SYS-NSC30	350
SYS-NSC40	450



Type	H mm	L mm
SYS-NSC12	20	240
SYS-NSC13	20	340
SYS-NSC14	30	440
SYS-NSC15	30	540



Gate support systems

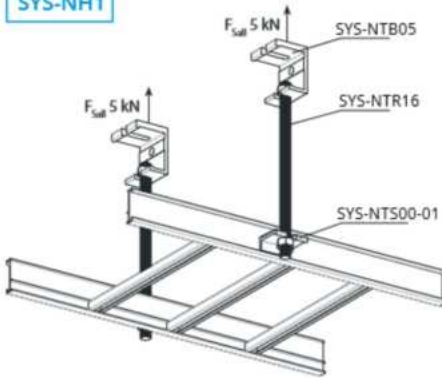
SYSTEMAL® Presto cable ladders

Gate support systems

Loading capacity 2x5 kN

SYS-LH0

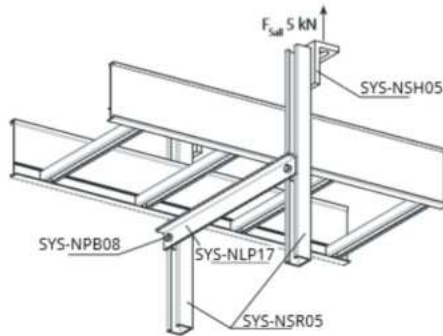
SYS-NH1



Gate support systems

Loading capacity 2x5 kN

SYS-NH1

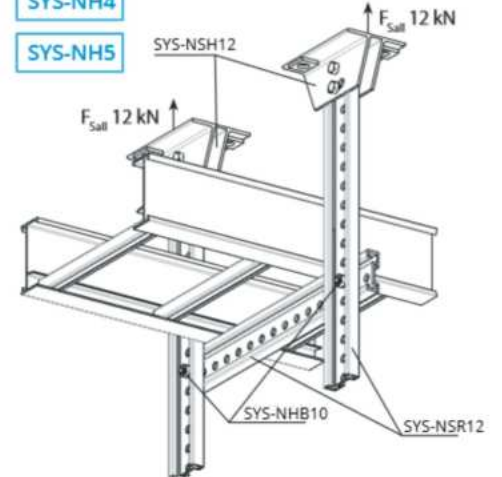


Gate support systems

Loading capacity 2x12 kN

SYS-NH4

SYS-NH5



Recommended for ladder series
SYS-LH0 and SYS-NH1

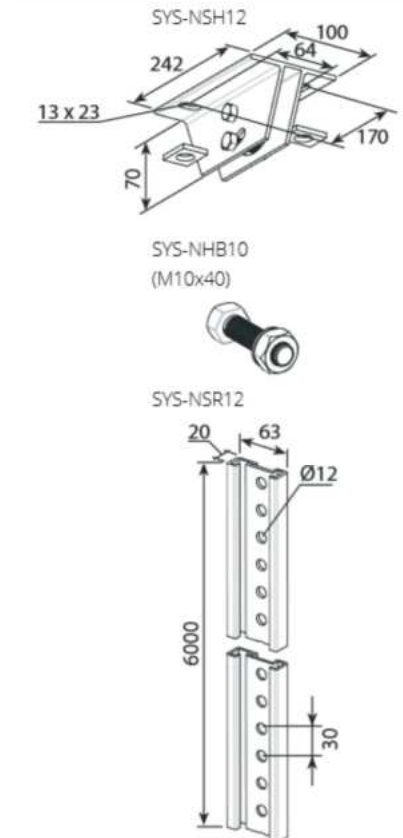
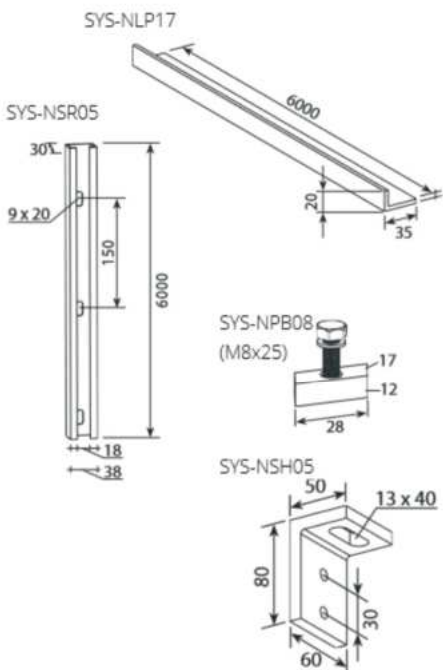
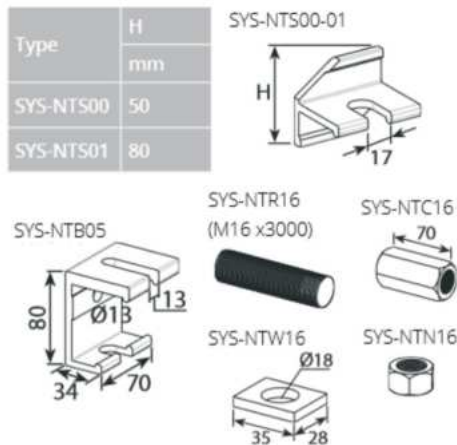
Type	E number	Package size	Weight
Ceiling bracket		pcs/m	kg/pc
SYS-NTB05	14 407 43	10/100 pcs	0,22
Threaded rod (M16)			
SYS-NTR16	14 407 90	30 m	0,46
Vertical support			
SYS-NTS00	14 407 85	10/100 pcs	0,07
SYS-NTS01	14 407 86	10/100 pcs	0,15
Nut (M16)			
SYS-NTN16	14 407 91	100/500 pcs	0,01
Rod coupling nut (M16)			
SYS-NTC16	14 407 92	10/100 pcs	0,04
Flat washer			
SYS-NTW16	14 407 41	50/500 pcs	0,01

Recommended for ladder series
SYS-NH1

Type	E number	Package size	Weight
Ceiling bracket		pcs/m	kg/pc
SYS-NSH05	14 407 87	10/50 pcs	0,19
Pendant rail			
SYS-NSR05	14 407 89	36 m	0,88
Support beam			
SYS-NLP17	14 401 23	36 m	0,56
Nut and bolt (M8)			
SYS-NPB08	14 406 93	20/500 pcs	0,03

Recommended for ladder series
SYS-NH4 and SYS-NH5

Type	E number	Package size	Weight
Ceiling bracket		pcs/m	kg/pc
SYS-NSH12	14 415 10	2/200 pcs	0,63
Pendant rail			
SYS-NSR12	14 415 04	36 m	1,24
Nut and bolt			
SYS-NHB10	14 415 56	50/500 pcs	0,05



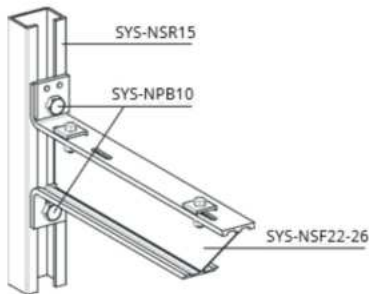
Wall support to wall rail

SYSTEMAL® Presto cable ladders

Wall support to wall rail

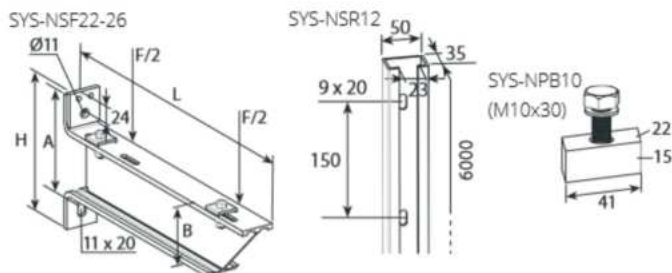
Loading capacity 2 kN

SYS-LH0



Recommended for ladder series SYS-LH0.

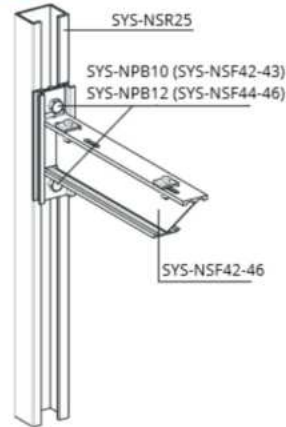
Type	E number	Package size	Weight
Cantilever bracket		pcs/m	kg/pc
SYS-NSF22	14 405 66	10 pcs	0,27
SYS-NSF23	14 405 67	10 pcs	0,38
SYS-NSF24	14 405 68	10 pcs	0,56
SYS-NSF25	14 405 69	10 pcs	0,68
SYS-NSF26	14 405 70	10 pcs	0,79
Wall rail			
SYS-NSR15	14 401 33	36 m	1,15
Nut and bolt (M10)			
SYS-NPB10	14 407 69	10/200 pcs	0,07



Type	A	B	H	L
	mm	mm	mm	mm
SYS-NSF22	97	60	142	257
SYS-NSF23	117	80	162	357
SYS-NSF24	117	80	162	457
SYS-NSF25	117	80	162	557
SYS-NSF26	117	80	162	657

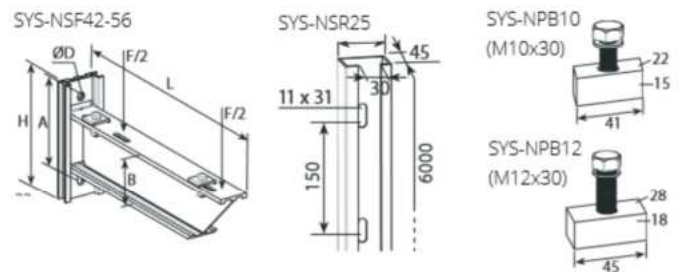
Loading capacity 4 kN

SYS-NH1



Recommended for ladder series SYS-NH1.

Type	E number	Package size	Weight
Cantilever bracket		pcs/m	kg/pc
SYS-NSF42	14 405 76	10 pcs	0,38
SYS-NSF43	14 405 77	10 pcs	0,54
SYS-NSF44	14 405 78	10 pcs	0,73
SYS-NSF45	14 405 79	10 pcs	0,86
SYS-NSF46	14 405 80	10 pcs	1,18
Wall rail			
SYS-NSR25	14 401 31	36 m	1,57
Nut and bolt (M10)			
SYS-NPB10	14 407 69	10/200	0,07
Nut and bolt (M12)			
SYS-NPB12	14 401 76	10/200	0,10



Type	A	B	H	L	Ø D
	mm	mm	mm	mm	mm
SYS-NSF42	117	80	162	257	11
SYS-NSF43	117	80	162	357	11
SYS-NSF44	137	100	182	457	13
SYS-NSF45	137	100	182	557	13
SYS-NSF46	137	100	182	657	13

Wall support to wall rail

SYSTEMAL® Presto cable ladders

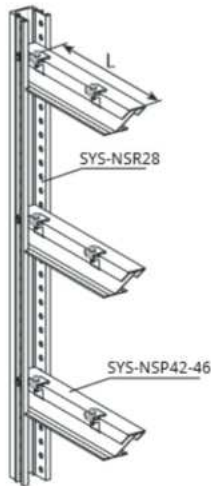
Wall support to wall rail

Loading capacity 4 kN

SYS-NH1

SYS-NH4

SYS-NH5



Recommended for ladder series
SYS-NH1, SYS-NH4 and SYS-NH5.

Type	E number	Package size	Weight
Cantilever bracket		pcs/m	kg/pc
SYS-NSP42	14 415 20	10 pcs	0,48
SYS-NSP43	14 415 21	10 pcs	0,63
SYS-NSP44	14 415 22	10 pcs	0,78
SYS-NSP45	14 415 23	10 pcs	1,00
SYS-NSP46	14 415 24	10 pcs	1,16
Wall rail			
SYS-NSR28	14 415 03	36 m	2,13

Loading capacity 6 kN

SYS-NH4

SYS-NH5



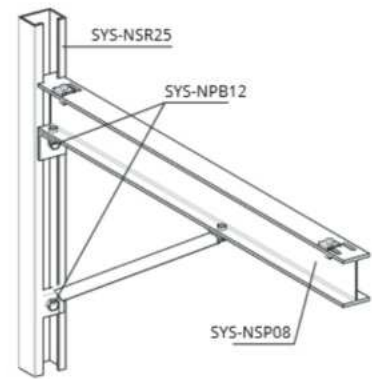
Recommended for ladder series
SYS-NH4 and SYS-NH5.

Type	E number	Package size	Weight
Cantilever bracket		pcs/m	kg/pc
SYS-NSP63	14 415 26	10 pcs	0,67
SYS-NSP64	14 415 27	10 pcs	0,83
SYS-NSP65	14 415 28	10 pcs	1,30
SYS-NSP66	14 415 29	10 pcs	1,52
Wall rail			
SYS-NSR28	14 415 03	36 m	2,13

Loading capacity 2,5-5 kN

SYS-LH0

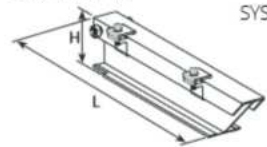
SYS-NH1



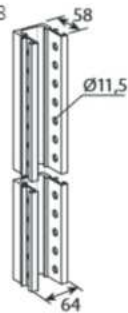
Recommended for ladder series
SYS-LH0 and SYS-NH1.

Type	E number	Package size	Weight
Cantilever bracket		pcs/m	kg/pc
SYS-NSP08	14 401 22	1 pc	2,10
Wall rail			
SYS-NSR28	14 415 03	36 m	1,57
Nut and bolt (M12)			
SYS-NPB12	14 401 76	12/200 pcs	0,10

SYS-NSP42-46

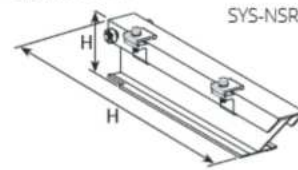


SYS-NSR28

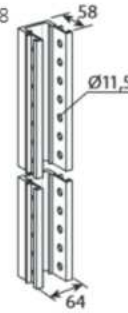


Type	H mm	L mm
SYS-NSP42	80	290
SYS-NSP43	80	390
SYS-NSP44	80	490
SYS-NSP45	100	590
SYS-NSP46	100	690

SYS-NSP63-66

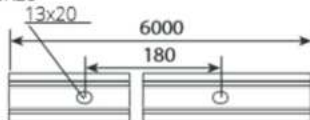


SYS-NSR28

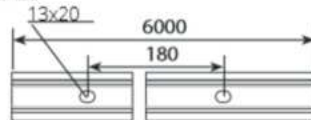


Type	H mm	L mm
SYS-NSP63	810	390
SYS-NSP64	100	490
SYS-NSP65	120	590
SYS-NSP66	120	690

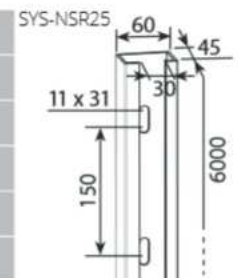
SYS-NSR28



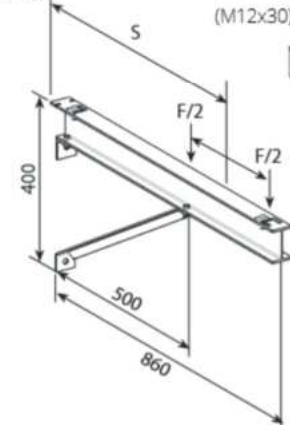
SYS-NSR28



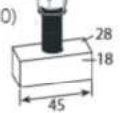
S	F _{wall} kN
400	5
500	4
600	3,3
700	2,8
800	2,5



SYS-NSP08



SYS-NPB12
(M12x30)



Suspension rail support systems

SYSTEMAL® Presto cable ladders

Suspension rail support systems

Loading capacity 14 kN, 1000 Nm

SYS-NH1



Recommended for ladder series SYS-NH1.

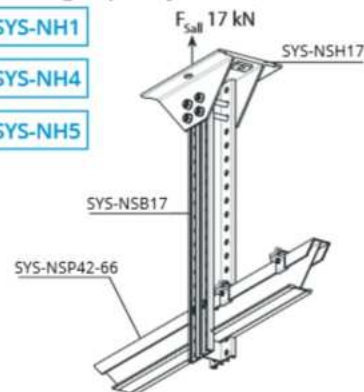
Type	E number	Package size	Weight
Ceiling bracket		pcs/m	kg/pc
SYS-NSH14	14 401 21	2/10 pcs	0,75
Suspension rail			
SYS-NSB14	14 401 20	36 m	1,66
Cantilever bracket			
SYS-NSF22	14 405 66	10 pcs	0,27
SYS-NSF23	14 405 67	10 pcs	0,38
SYS-NSF24	14 405 68	10 pcs	0,56
SYS-NSF25	14 405 69	10 pcs	0,68
SYS-NSF26	14 405 70	10 pcs	0,79
SYS-NSF42	14 405 76	10 pcs	0,38
SYS-NSF43	14 405 77	10 pcs	0,54
Nut and bolt			
SYS-NPB10	14 407 69	10/200 pcs	0,07

Loading capacity 17 kN, 1500 Nm

SYS-NH1

SYS-NH4

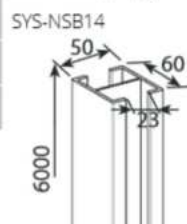
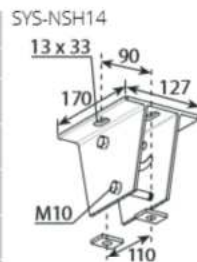
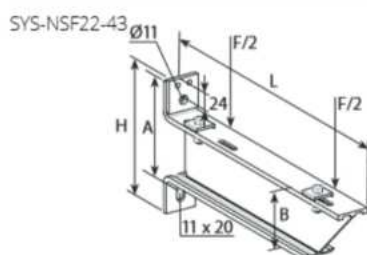
SYS-NH5



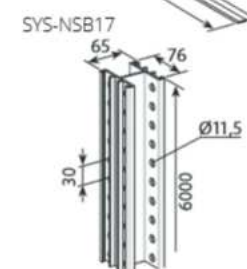
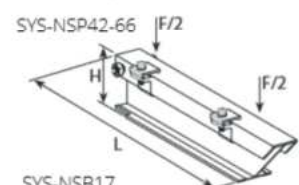
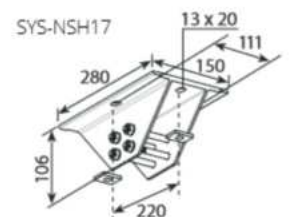
Recommended for ladder series SYS-NH1, SYS-NH4 and SYS-NH5.

Type	E number	Package size	Weight
Ceiling bracket		pcs/m	kg/pc
SYS-NSH17	14 415 12	2/20 pcs	1,32
Suspension rail			
SYS-NSB17	14 415 00	36 m	2,40
Cantilever bracket			
SYS-NSP42	14 415 20	10 pcs	0,48
SYS-NSP43	14 415 21	10 pcs	0,63
SYS-NSP44	14 415 22	10 pcs	0,78
SYS-NSP45	14 415 23	10 pcs	1,00
SYS-NSP46	14 415 24	10 pcs	1,16
SYS-NSP63	14 415 26	10 pcs	0,67
SYS-NSP64	14 415 27	10 pcs	0,83
SYS-NSP65	14 415 28	10 pcs	1,30
SYS-NSP66	14 415 29	10 pcs	1,52

Type	A mm	B mm	H mm	L mm
SYS-NSF22	97	60	142	257
SYS-NSF23	117	80	162	357
SYS-NSF24	117	80	162	457
SYS-NSF25	117	80	162	557
SYS-NSF26	117	80	162	657
SYS-NSF42	117	80	162	257
SYS-NSF43	117	80	162	357



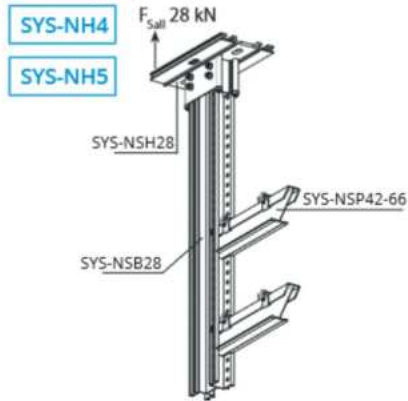
Type	H mm	L mm
SYS-NSP42	80	290
SYS-NSP43	80	390
SYS-NSP44	80	490
SYS-NSP45	100	590
SYS-NSP46	100	690
SYS-NSP63	100	390
SYS-NSP64	100	490
SYS-NSP65	100	590
SYS-NSP66	100	690



Suspension rail support systems

SYSTEMAL® Presto cable ladders

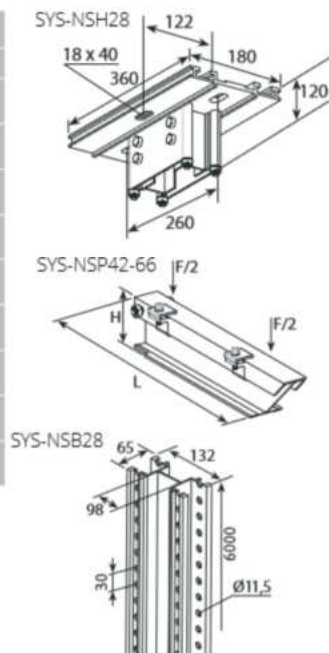
Loading capacity 28 kN, 3500 Nm



Recommended for ladder series SYS-NH4 and SYS-NH5.

Type	E number	Package size	Weight
Ceiling bracket		pcs/m	kg/pc
SYS-NSH28	14 415 11	5 pcs	2,10
Suspension rail			
SYS-NSB28	14 415 01	36 m	3,60
Cantilever bracket			
SYS-NSP42	14 415 20	10 pcs	0,48
SYS-NSP43	14 415 21	10 pcs	0,63
SYS-NSP44	14 415 22	10 pcs	0,78
SYS-NSP45	14 415 23	10 pcs	1,00
SYS-NSP46	14 415 24	10 pcs	1,16
SYS-NSP63	14 415 26	10 pcs	0,67
SYS-NSP64	14 415 27	10 pcs	0,83
SYS-NSP65	14 415 28	10 pcs	1,30
SYS-NSP66	14 415 29	10 pcs	1,52

Type	H mm	L mm
SYS-NSP42	80	290
SYS-NSP43	80	390
SYS-NSP44	80	490
SYS-NSP45	100	590
SYS-NSP46	100	690
SYS-NSP63	100	390
SYS-NSP64	100	490
SYS-NSP65	100	590
SYS-NSP66	100	690



Use and installation of suspension rails

SYSTEMAL® Presto cable ladders

SYS-NSB14

Asymmetric loading

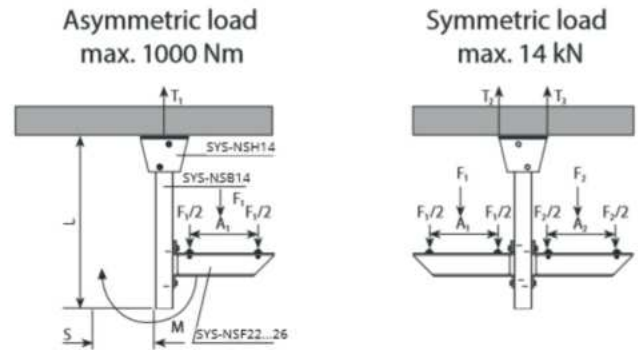
Bending moment
 $M = F_1 \times (A/2 + 0,07)$

Deflection S

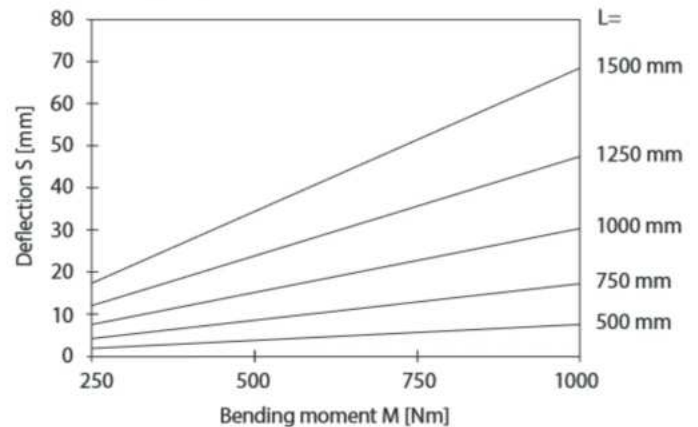
Loading of mounting bolts
 (anchoring must be checked separately)
 $T_1 = (M/0,22 + F/2)$

Symmetric loading

$F_1 = F_2$
 $F = F_1 + F_2$
 $T_2 = T_3 = F/2$



Deflection max. (L/20)



SYS-NSB17

Asymmetric loading

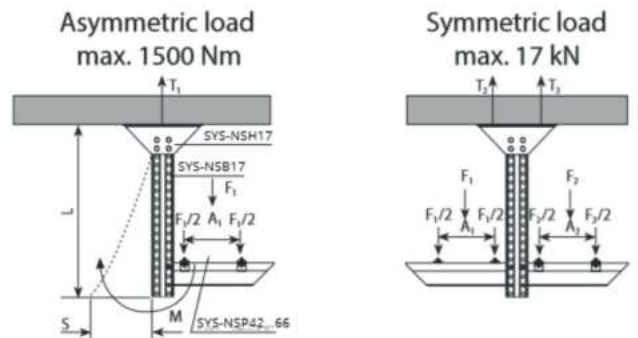
Bending moment
 $M = F_1 \times (A/2 + 0,01)$

Deflection S

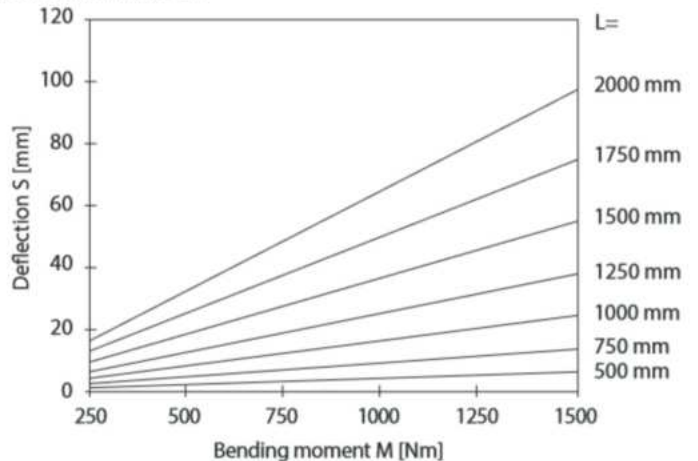
Loading of mounting bolts
 (anchoring must be checked separately)
 $T_1 = (M/0,22 + F/2)$

Symmetric loading

$F_1 = F_2$
 $F = F_1 + F_2$
 $T_2 = T_3 = F/2$



Deflection max. (L/20)



Use and installation of suspension rails

SYSTEMAL® Presto cable ladders

SYS-NSB28

Asymmetric loading

Bending moment

$$M = F_1 \times (A/2 + 0,1)$$

Deflection S

Loading of mounting bolts

(anchoring must be checked separately)

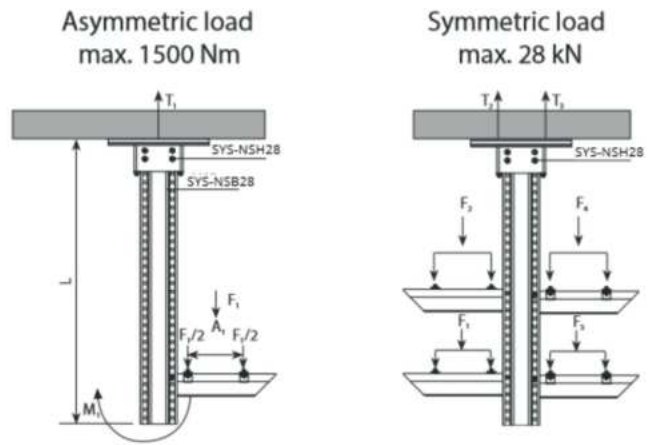
$$T_1 = (M/0,26 + F/2)$$

Symmetric loading

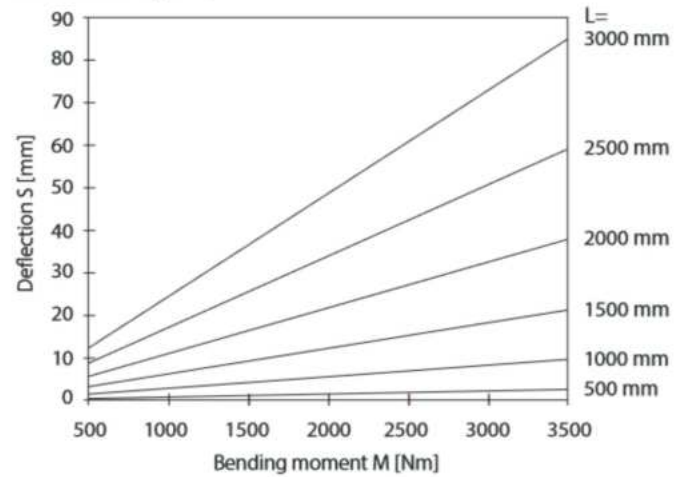
$$F_1 = F_2 = F_3 = F_4$$

$$F = F_1 + F_2 + F_3 + F_4$$

$$T_2 = T_3 = F/2$$



Deflection max. (L/20)

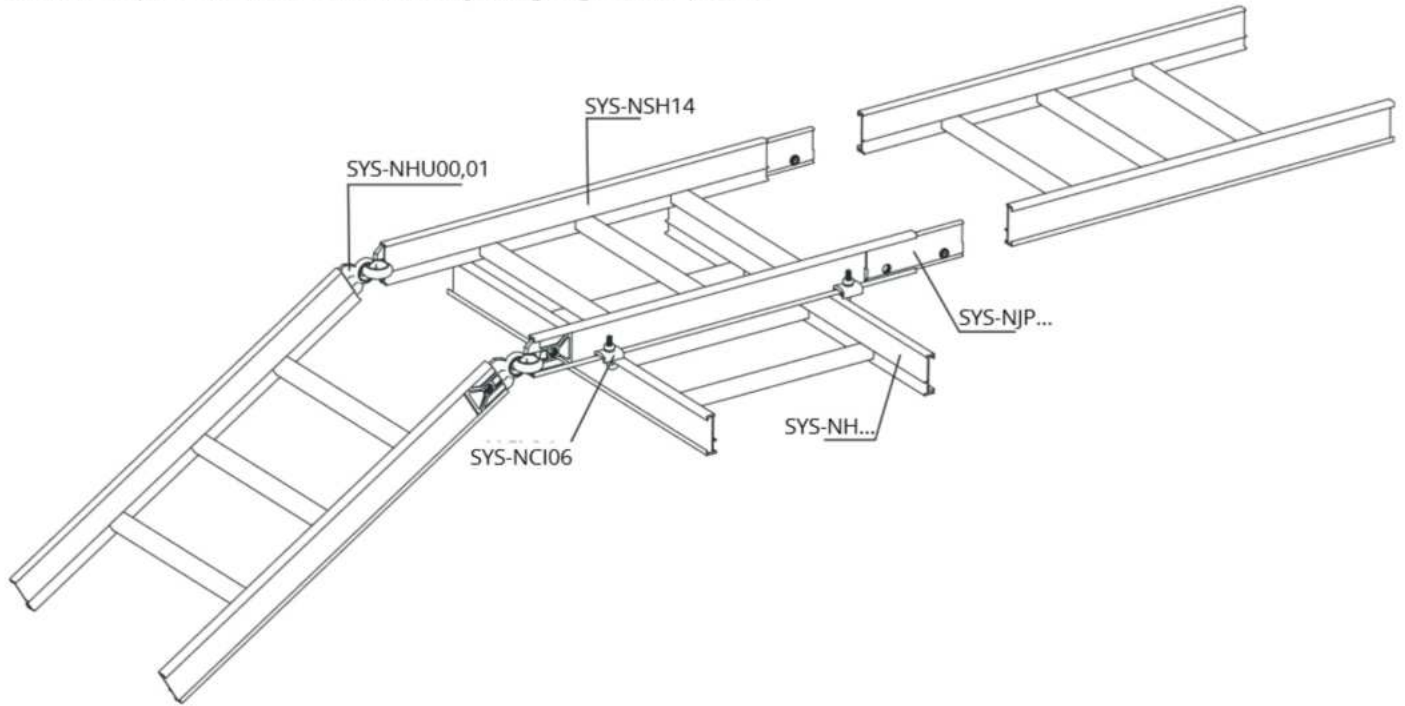


Installation examples

SYSTEMAL® Presto cable ladders

Extending cable ladders with vertical couplers and universal hinged couplers, and fastening crossing ladders with clamps.

Vertical coupler SYS-NJP... is also used in joining angle and T-pieces.

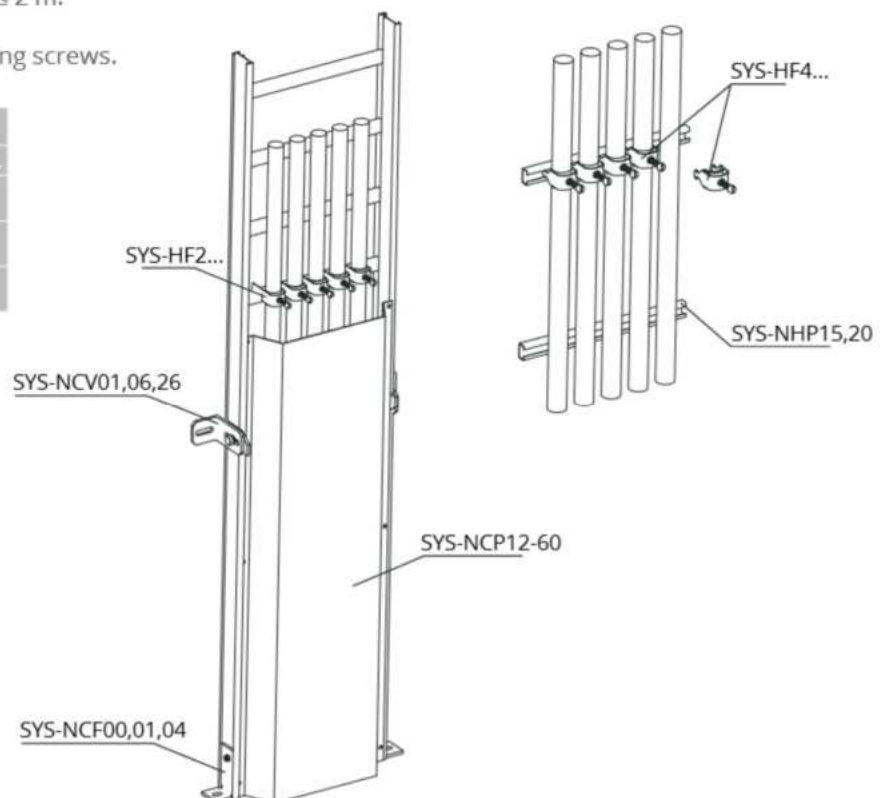


Attaching vertical ladders to wall and floor (SYS-NCV... and SYS-NCF...) and installing cable covers (SYS-NCP...) and cable clamps (SYS-HF2... and SYS-HF4...) to vertical ladders and fixing rail profiles (SYS-NHP15 and SYS-NHP20).

Fastening distance of wall attachments ≤ 2 m.

Cable cover (SYS-NCP...) includes fastening screws.

Type	Distance from wall (mm)		
	SYS-LH0...	SYS-NH1...	SYS-NH4-5...
SYS-NCV01	15-40	-	-
SYS-NCV06	25-105	10-70	-
SYS-NVC26	-	-	45-135

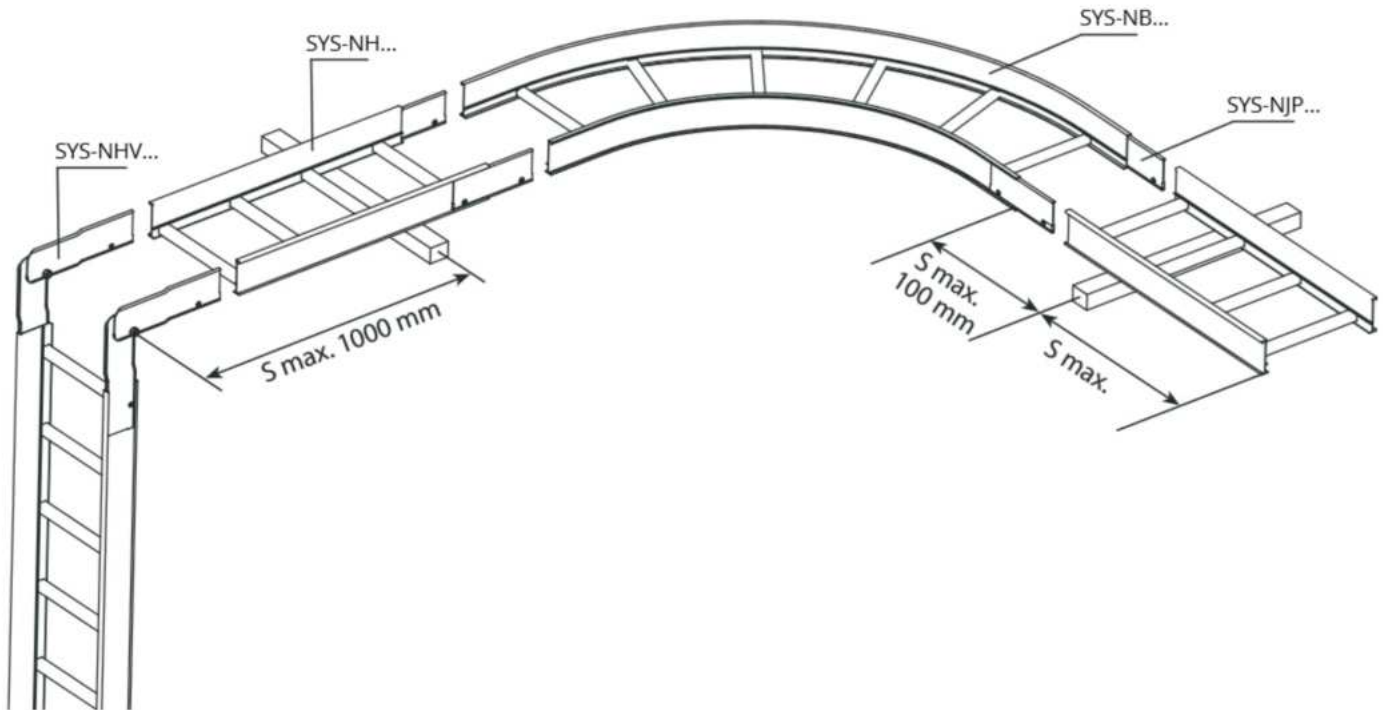


Installation examples

SYSTEMAL® Presto cable ladders

Installing vertical flexible bends (SYS-NHV...), horizontal bends (SYS-NB...) and universal hinged couplers.

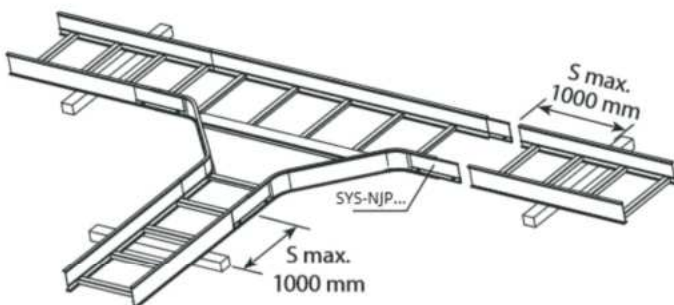
Check max. installation distance to support point.



Installing T-pieces

When installing corner couplers (SYS-NTP...) and horizontal hinged couplers (SYS-NHH...) the max. distance to the support point is 1000 mm.

When installing the T-piece compare the distance to the vertical coupler (SYS-NJP...).



Installing reducers

